

**PRODUCT
SPECIFICATION**



ValuLine® III Next Generation Antennas VHLP4

SPECIFICATIONS

	VHLP4-7W	VHLP4-10W	VHLP4-11	VHLP4-13	VHLP4-15	VHLP4-18	VHLP4-23	VHLP4-26
Frequency Band, GHz	7.125-8.5	10.0-10.7	10.7-11.7	12.7-13.25	14.25-15.35	17.7-19.7	21.2-23.6	24.25-26.5
Bottom Band Gain, dBi	36.8	39.6	40.0	41.9	42.7	44.2	46.0	47
Mid Band Gain, dBi	37.3	40.0	40.4	42.0	42.9	44.7	46.7	47.4
Top Band Gain, dBi	37.7	40.4	40.8	42.1	43.1	45.1	47.0	47.8
Beamwidth, degrees	2.2	1.6	1.5	1.3	1.2	0.9	0.8	0.6
Front/Back, dB	63	66	67	68	71	72	74	75
XPD, dB	32	30	30	30	30	30	30	30
Return Loss, dB	17.7	17.7	17.7	17.7	17.7	17.7	17.7	17.7
Regulatory Compliance								
ETSI Class	R1 C3	R1 C3	R1 C3	R1 C3	R2 C3	R2 C3	R3 C3	R4 C3
FCC Part 101	N/A	Cat A	Cat A	Cat B	N/A	Cat A	Cat A	Cat A
Brazil Anatel	C2	C2	C2	C2	C2	C2	C2	C2
Canada SRSP	N/A	310.5	N/A	312.7B	314.5A	317.8A	321.8A	N/A
Andrew RPE Number	7079	7088	7043A	7049	7055	7061	7067	7073

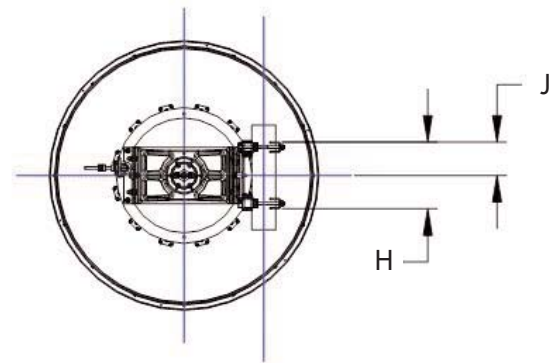
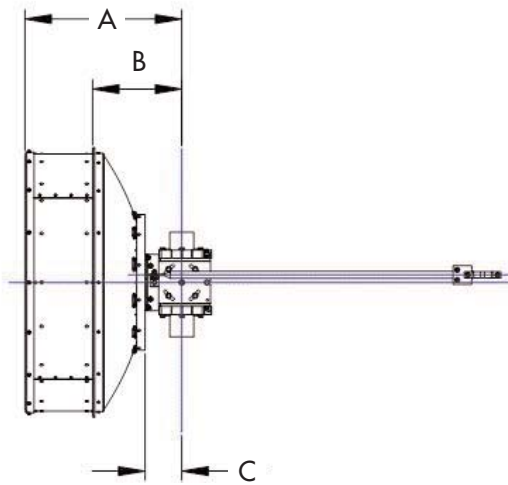
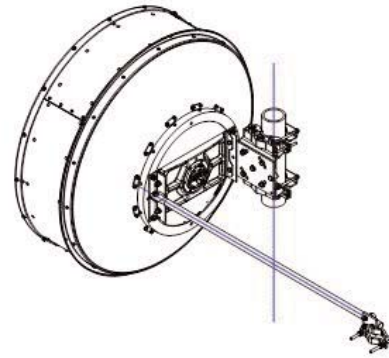
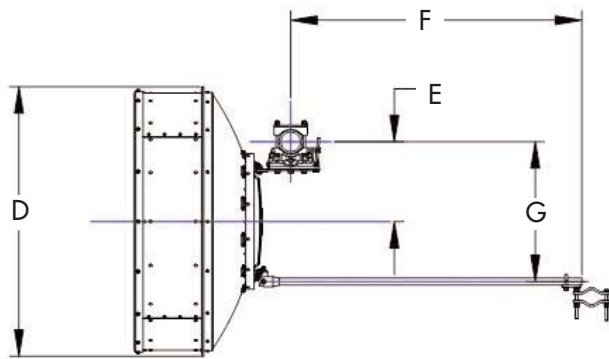
VHLP4-7W SUB-BAND PERFORMANCE

Band	7.125-7.75	7.425-7.9	7.75-8.5
Bottom Band Gain, dBi	36.8	37.0	37.3
Mid Band Gain, dBi	37.0	37.2	37.5
Top Band Gain, dBi	37.3	37.3	37.7

One Company. A World of Solutions.

SPECIFICATIONS

ValuLine® III Next Generation Antenna—VHLP4



Antenna Dimensions, mm (in)

A	751 (29.5)
B	427 (16.8)
C	176 (6.9)
D	1291 (50.8)
E	382 (15)
F	1395 (54.9)
G	670 (26.4)
H	320 (12.6)
J	160 (6.3)

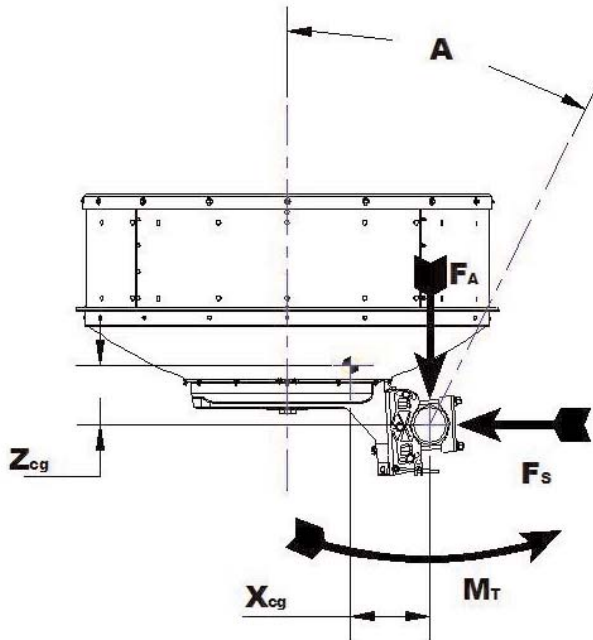
Antenna Fine Adjustment

Fine Aximuth	±12°
Fine Elevation	±15°

ValuLine® III Next Generation Antenna—VHLP4

Wind Loading

The axial, side, and twisting moment forces stated below are the maximum loads applied to the tower by the antenna at a survival windspeed of 250 km/h (155 mph). They are the result of wind from the most critical direction for each parameter. The individual maximums may not occur simultaneously. All forces are referenced to the antenna mounting pipe.



Axial force	F_A	3163 N
Side force	F_S	1567 N
Moment	M_T	1570 N·m
Angle A for M_T maximum		-40°

Where side struts are fitted, the loads carried by the side struts are components of, not in addition to F_A , F_S , and M_T .

Z_{CG}^* Without Ice, mm (in)	170.6 (6.7)
X_{CG} Without Ice, mm (in)	242.7 (9.5)

* Z_{CG} is the axial distance from the center of gravity to the mounting pipe.

Antenna Weights Including Mount

Antenna Without Ice, kg (lb)	46 (101.4)
Antenna with 25 mm (1 in) Radial Ice, kg (lb)	115 (253.5)

Antenna Packed Weights (Gross)

Weight, kg (lb)	102 (224.9)
-----------------	-------------

Packed Antenna Dimensions (Single Unit Pack)

Dimensions, cm (in)	137 x 137 x 82 (54 x 54 x 323)
---------------------	--------------------------------



One Company. A World of Solutions.

Andrew Corporation
3 Westbrook Corporate Center
Suite 900
Westchester, IL 60154 USA

Customer Support Center
From North America
Telephone: 1-800-255-1479
Fax: 1-800-349-5444

International
Telephone: +1-708-873-2307
Fax: +1-779-435-8579

Internet: www.andrew.com

All designs, specifications, and availabilities of products and services presented in this bulletin are subject to change without notice.

Bulletin PA-100913.4-EN (10/07)

© 2007 Andrew Corporation, Westchester, IL 60154 USA